

LPSi SERIES



Outdoor LED Backlit Monument Sign Installation Instructions

Voltage

This sign operates within an input range of 120VAC to 277VAC.

What You Need:

Phillips Head Screw Driver
Control Switch (*ordered separately*)



Always turn off the power prior to installation.



Be sure any metal debris cleared out of the cabinet.

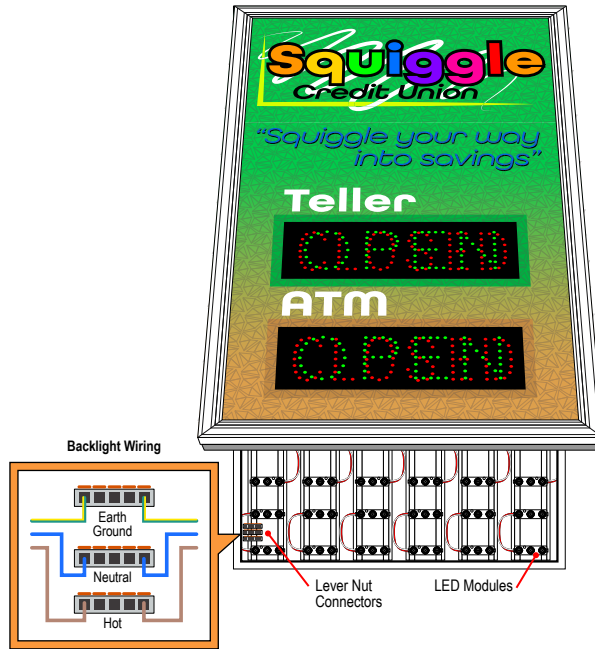
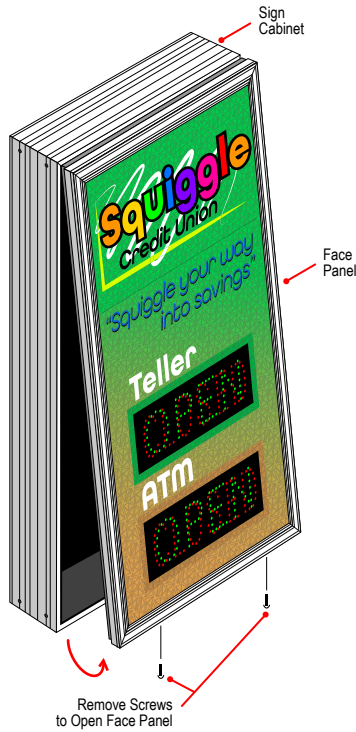
Power & Communications

1. With the sign mounted, open sign cabinet by removing the 2 (two) screws located on the bottom of the front panel.

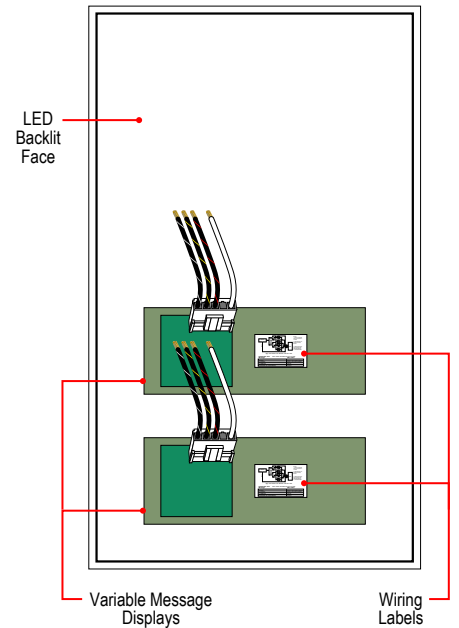
2. With the front hinged panel supported open locate the input terminals for:

- Backlight (Brown Hot)
- Common (Blue Neutral)
- Earth (Green/Yellow Ground)

3. Locate the input wires for each display insert. Refer to the wire labels on the back of each display for exact wiring guidelines.

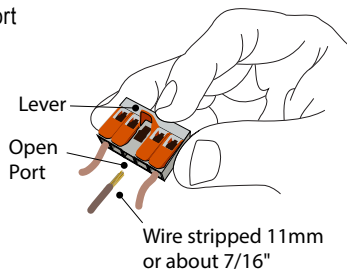


Reverse side of front face showing



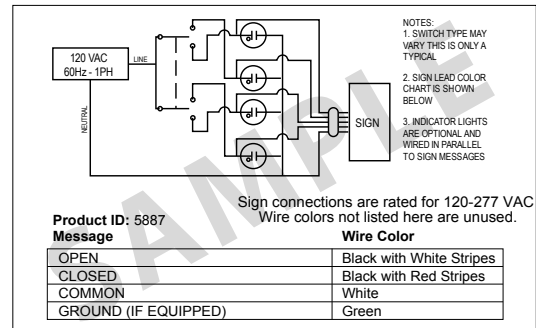
Lever-nut Instructions

- Strip the ends of your input wire to 11mm, using the guide on the side of one of the lever-nuts.
- To make a connection, use the wiring scheme pictured to find the correct lever-nut.
 - Pull up on lever of an open port
 - Insert conductor
 - Push lever back down



Sample Wiring Label

Wiring Label Sample for a typical 2 Message Sign



Note: Refer to the wiring label inside the sign for the specific instructions on wiring your sign. Some wires may not be used.



Warning Statements

Note: Make appropriate wiring connections per local code.

Note: Any holes drilled into sign cabinet **MUST** be sealed. Failure to do so may cause a short and void warranty.

Note: This unit contains a built-in CLASS 2 LED driver.

Note: This sign is intended to be installed in accordance with the requirements of Article 600 of the National Electric Code and/or other applicable local codes. This includes proper grounding and bonding of the sign.



WARNING:

Risk of Fire or Electric Shock. Do Not interconnect output terminations.

AVERTISSEMENT:

Risque d'incendie ou de choc électrique. Ne pas interconnecter les terminaisons de sortie.