



When you think signs,
think Signal-Tech!



LED Sign Specifications for *Transportation & Rail*

Signal-Tech
LED Directional Signs & Signals

SNS Series Illuminated Street Name Signs



New for 2024
Six Standard Sizes to choose from
Engineered & Assembled in the USA

Outdoor illuminated signs with an aluminum cabinet, edge-lit with cool white LED modules. The sign message is formed by a translucent printed face with a

Twelve Available Sizes

Street Name Signs are available in three lengths, two heights and either double faced or single faced.



18" h x 72" w x 5.187" d
51 lbs.



24" h x 72" w x 5.187" d
56 lbs.



18" h x 96" w x 5.187" d
65 lbs.



24" h x 96" w x 5.187" d
74 lbs.



18" h x 120" w x 5.187" d
80 lbs



24" h x 120" w x 5.187" d
90 lbs.

Visual/Illumination

- **Message Face:** Protective 0.125" clear, UV-resistant, impact-modified acrylic panel
Message illuminates when on and remains visible when off
 - *See Physical/Environmental for face construction*
- **Graphics:** Full-color printed; message visible without illumination during the day; Printed on translucent, retroreflective sheeting applied on inside surface of face panel
- **Standard Color:** PMS342 Green, PMS294 Blue and PMS469 Brown;
 - *Other colors available upon request*
- **Standard Font:** Highway Gothic FHWA Series C or D;
 - *Other fonts available upon request*
- Edge-lit with cool white LED modules for uniform lighting and contrast
- **Minimum Brightness:** 105 nits (cd/m²);
 - *Units less than 24" tall will appear brighter*

LED Color (Typ. λ/Temp) K – White LED temp in Kelvins	
White	5500K - 6500K Nominal

Specifications

Cabinet Construction Features



prismatic, retroreflective sheeting applied that illuminates when activated and remains viewable when deactivated.

Electrical

- **Input voltage:** 100-277VAC
- **Control:** Controlled by external traffic/lighting controller
 - *Optional built-in photocell available*
- **Nominal Power:**
 - 72" long cabinet - 36 Watts
 - 96" long cabinet - 48 Watts
 - 120" long cabinet - 60 Watts
- **External Power Connection:** Cable on side, 3ft long with a 90° elbow and internal strain relief collar; 14AWG, 3-Conductor wire with gray PVC jacket
 - *Junction box not included*

Warranty

- Five Years

Engineered & Assembled

- USA

Physical/Environmental

- **IP/NEMA Rating:** Meets IP55/NEMA 3RX standards; All in-field modifications/conduit entry points must be properly sealed
- **Temperature & Humidity:** -40°F to +165°F; 0% to 99% [non-condensing]
- **Face Material:** UV-resistant, 0.125" thick, impact-modified acrylic panel
- **Cabinet Construction:** 0.090" thick 6063-T52 aluminum alloy extruded cabinet, stainless steel hardware and hinged face(s)
- **Cabinet Finish:** Low-gloss Black
 - *Other colors available upon request*
- **Cabinet Depth:** Single or Double-faced 5.187" deep
- **Cabinet Height:** 18" or 24"
Visual Opening Height: 16" or 22"
- **Cabinet Width:** 72" [6ft], 96" [8ft], or 120" [10ft]
Visual Opening Width: 70", 94", or 118"
- **Cabinet Weight Per Ft²:** 4.5 - 6.5 lbs. Single or Double-Faced
 - *See individual product sheets for exact weight*
- **Mounting Interface:** 0.1875" thick, 3003-H14 aluminum brackets with tri-stud mounting pattern
 - *Other Surface-mounting brackets for single-sided signs available upon request*

NEMA 4X DOT Series *Direct-view, Blank-Out*



OPEN Message On

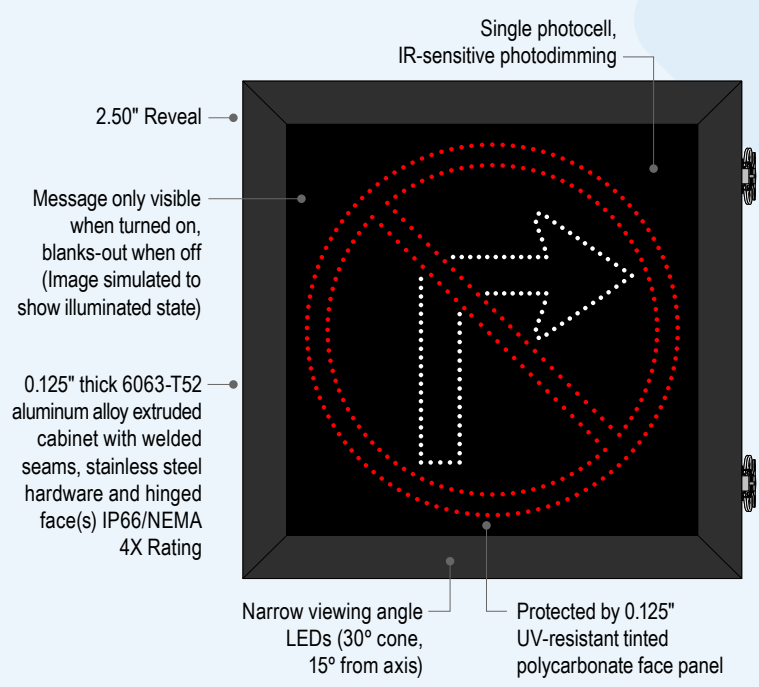


CLOSED Message On



Messages Off

Illuminated View

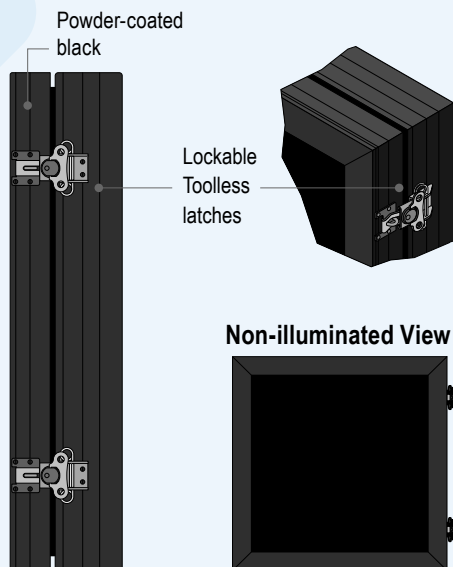


Visual/Illumination

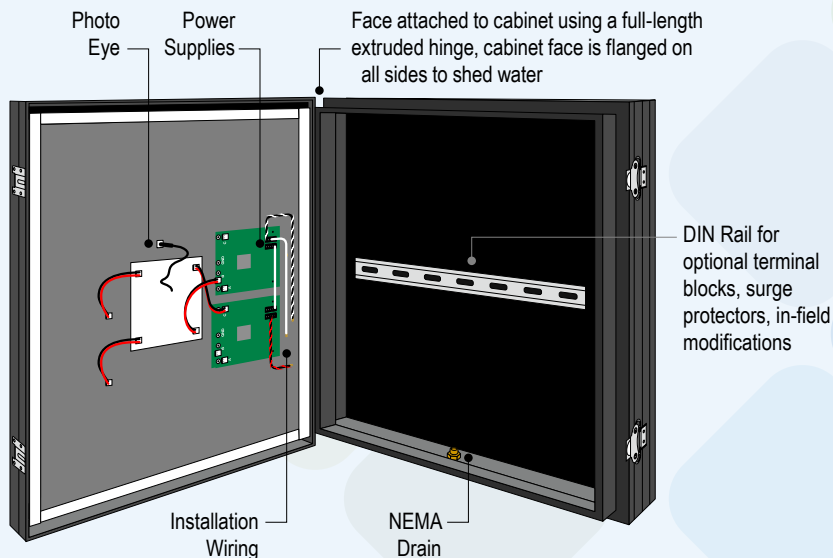
- **LED Drive Current:** 15mA per string; String length varies per color
- **Automatic Photodimming:** Single photocell, IR-Sensitive, gradual brightness adjustment
 - *Optional Redundant photocells*
- **Message Flashing:** Adjusting speed/pattern, set from factory; OFF by default
- **Message Face:** Black message board protected by tinted, matte (glare-reducing) window; Message illuminates when on and blanks-out (disappears) when off
 - *See Physical/Environmental for face construction*
- **LED Viewing Angle:** Narrow 30° cone (15° from center axis)
 - *Optional wide-angle 120° cone*

	LED Colors (Typ. λ/Temp) <i>nm</i> – Wavelength in nanometers <i>K</i> – White LED temp in Kelvins	Narrow LED Viewing Angle (Typ. mcd) 30° Cone <i>mcd</i> – Light Intensity in millicandela	Wide LED Viewing Angle (Typ. mcd) 120° Cone <i>mcd</i> – Light Intensity in millicandela
Red	625nm	3750mcd	660mcd
Amber	589nm	3900mcd	780mcd
Green	525nm	7500mcd	1200mcd
Blue	470nm	1500mcd	210mcd
White	5500K - 6500K	3750mcd	1375mcd

Frame Detail



Internal View



Outdoor/indoor blank-out signs with an IP66/NEMA 4X cabinet, narrow angle LEDs and contrasting black face. The sign message is formed by visible LEDs that illuminate when activated and blank-out when deactivated.

Electrical

- **Input voltage:** 100-240VAC
 - *Optional 9-24VDC*
- **Control:** Switch or external relay
- **Number of Inputs:** One input (Line or +) per message, one common (Neutral or -), one Earth Ground
- **Input Connection Type:** Stripped end, 18AWG wire;
 - *Optional tool-actuated terminal blocks (DIN Rail), Lever-actuated terminals (DIN Rail)*
- **Load Type:** Capacitive; component in a system designed to control resistive loads (e.g., an incandescent lamp) may not be suitable
- **Power Efficiency:** 81% (@120VAC, 50% rated load); power supply shall not be loaded beyond its rated safe operating area
- **Surge Protection:** None;
 - *Optional DIN Rail mounted surge protectors available*
- **Power Supply Configuration:** Non-redundant;
 - *Optional Redundant power supplies available*
- UL/cUL Listed for wet locations

Warranty

- Five Years
- **Engineered & Assembled**
- USA

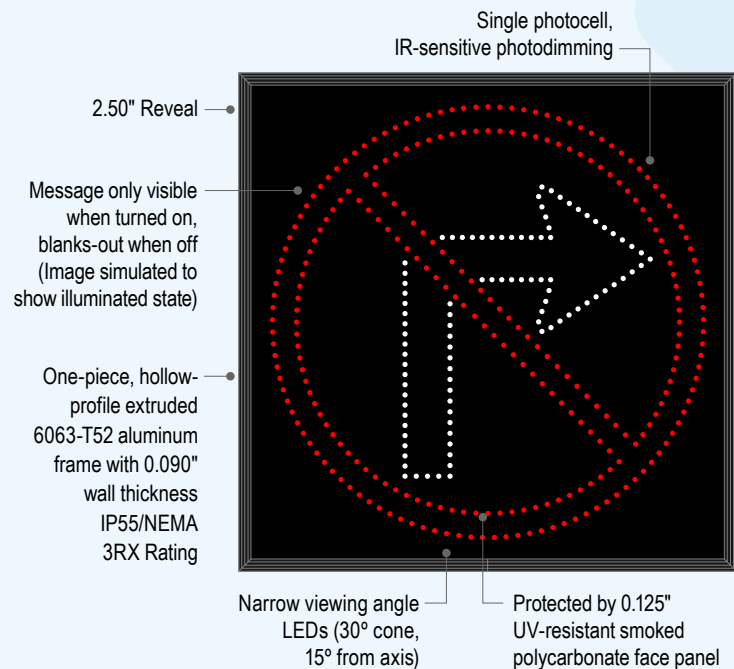
Physical/Environmental

- **IP/NEMA Rating:** Meets IP66/NEMA 4X standards; All in-field modifications/conduit entry points must be properly sealed
- **Temperature & Humidity:** -40°F to +165°F; 0% to 99% [non-condensing]
- **Face Material:** UV-resistant, 0.125" thick, tinted, matte, impact-modified acrylic panel
- **Cabinet Construction:** 0.125" thick 6063-T52 aluminum alloy extruded with welded seams, stainless steel hardware and hinged face(s) All exterior seams shall be continuous MIG welded to form a single structure The hinged face(s) shall be attached to cabinet using a full-length extruded hinge The cabinet face is flanged on all sides to shed water The door closes around its flanged frame and is compressed against a closed-cell silicone gasket using lockable toolless latches
- **Cabinet Finish:** Powder Coated Black
 - *Other colors available upon request*
- **Cabinet Depth:** Single-faced 6.50" deep
- **Cabinet Interior:** Conformal coated circuit board, NEMA 4X breather drain (for atmospheric pressure equalization), sealed/closed-end fasteners used for all bolt-on mounting
- **Mounting:** Two horizontal rows of M8x1.25 sealed Rivnuts; Rows are centered and spaced apart $\frac{2}{3}$ x the sign's height (spacing, quantity, and number of rows may vary)
 - *Optional mounting includes: Rivnut array; C-Channel (bolt-on); Mounting tabs; SkyBracket mast arm mount (vertical or horizontal); SkyBracket top/bottom elbow mount (with locking, serrated ring); Integrated locking, serrated ring (top and bottom)*

NEMA 3RX STR Series *Blank-Out, Direct-View*



Illuminated View

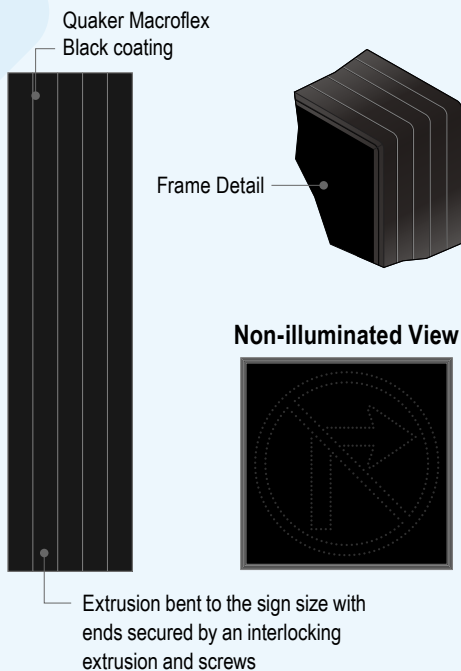


Visual/Illumination

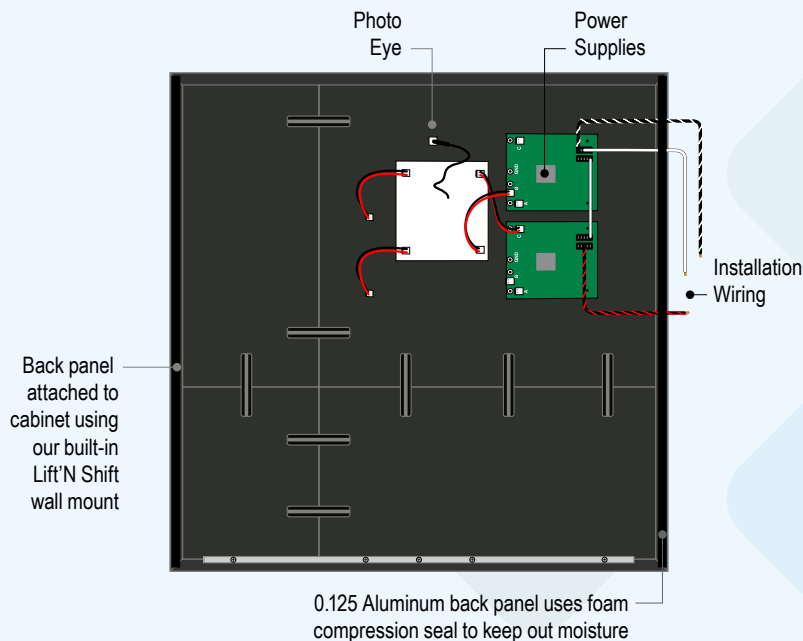
- **LED Drive Current:** 15mA per string; String length varies per color
- **Automatic Photodimming:** Single photocell, IR-Sensitive, gradual brightness adjustment
 - *Optional Redundant photocells*
- **Message Flashing:** Adjusting speed/pattern, set from factory; OFF by default
- **Message Face:** Black message board protected by smoked, matte (glare-reducing) window; Message illuminates when on and blanks-out (disappears) when off
 - *See Physical/Environmental for face construction*
- **LED Viewing Angle:** Narrow 30° cone (15° from center axis)
 - *Optional wide-angle 120° cone (60° from center axis)*

	LED Colors (Typ. λ /Temp) <i>nm</i> – Wavelength in nanometers <i>K</i> – White LED temp in Kelvins	Narrow LED Viewing Angle (Typ. mcd) 30° Cone <i>mcd</i> – Light Intensity in millicandela	Wide LED Viewing Angle (Typ. mcd) 120° Cone <i>mcd</i> – Light Intensity in millicandela
Red	625nm	3750mcd	660mcd
Amber	589nm	3900mcd	780mcd
Green	525nm	7500mcd	1200mcd
Blue	470nm	1500mcd	210mcd
White	5500K - 6500K	3750mcd	1375mcd

Frame Detail



Internal View



Outdoor/indoor blank-out signs with an IP55/NEMA 3RX cabinet, narrow angle LEDs and contrasting black face. The sign message is formed by visible LEDs that illuminate when activated and blank-out when deactivated.

Electrical

- **Input voltage:** 120-277VAC
 - *Optional 12-24VDC*
- **Control:** Switch, Signal-Tech Control Software or external relay
- **Internal Wiring:** All internal wiring shall use drip loops and all connections made to sign during installation shall conform to the National Electric Code
- **Number of Inputs:** One input (Line or +) per message, one common (Neutral or -), one Earth Ground
- **Input Connection Type:** Stripped end, 18AWG wire;
 - *Optional tool-actuated terminal blocks (DIN Rail), Lever-actuated terminals (DIN Rail)*
- **Power Efficiency:** 81% (@120VAC, 50% rated load); power supply shall not be loaded beyond its rated safe operating area
- **Surge Protection:** None;
 - *Optional DIN Rail mounted surge protectors available*
- **Power Supply Configuration:** Non-redundant;
 - *Optional Redundant power supplies available*
- UL/cUL Listed for wet locations

Accessories

- Audible alarm, Hood/Visor, Message Flashing

Warranty

- Five Years

Engineered & Assembled

- USA

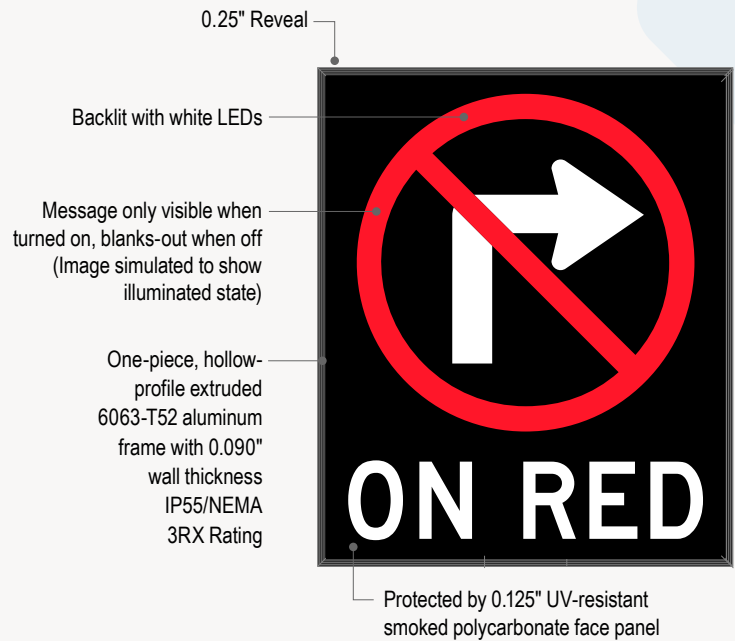
Physical/Environmental

- **IP/NEMA Rating:** Meets IP55/NEMA 3RX standards; All in-field modifications/conduit entry points must be properly sealed
- **Temperature & Humidity:** -40°F to +165°F; 0% to 99% [non-condensing]
- **Face Material:** UV-resistant, 0.125" thick, smoked, matte, impact-modified acrylic panel
- **Cabinet Construction:** One-piece, hollow-profile extruded 6063-T52 aluminum frame with a 0.090" wall thickness
The extrusion bends to the sign size with ends secured together by an interlocking extrusion and screws, holding the display board and face material captive
- **Cabinet Finish:** Electrostatically applied PPG Macroflex™ Black Extrusion Coating (*Macroflex™ is register trademark of PPG Industries, Inc.*)
 - *Other colors available upon request*
- **Cabinet Depth:** Single-faced 6" deep
- **Cabinet Interior:** Conformal coated circuit board and power supplies, moisture-absorbent interior coating, weep holes for drainage, sealed/closed-end fasteners used for optional, installed mounting interface
- **Mounting:** Lift'N Shift sign back offers built-in wall mounting
 - *Optional mounting includes: SkyBracket Mast Arm Mounting Assembly, SkyBracket Span-wire Mounting Assembly*

NEMA 3RX STRB Series *Backlit, LED Blank-Out*



Illuminated View

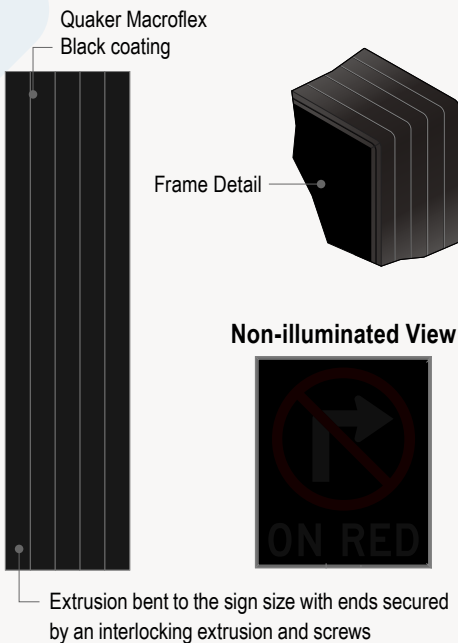


Visual/Illumination

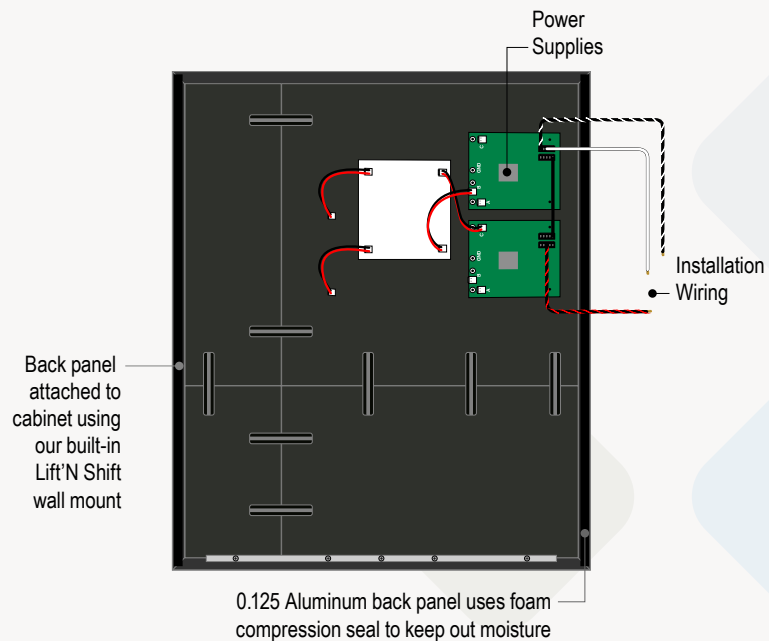
- **LED Drive Current:** 50mA per string; String length varies per color
- **Message Flashing:** Adjusting speed/pattern, set from factory; OFF by default
- **Message Face:** Black message board protected by smoked, matte (glare-reducing) window; Message illuminates when on and blanks-out (disappears) when off
 - *See Physical/Environmental for face construction*
- **LED Illumination:** Backlit with a full array of wide-angle LEDs Available in Red, Amber, Green, Blue or White LEDs

LED Colors (Typ. λ /Temp)	
<i>nm – Wavelength in nanometers K – White LED temp in Kelvins</i>	
Red	625nm
Amber	589nm
Green	525nm
Blue	470nm
White	5500K - 6500K

Frame Detail



Internal View



Outdoor/indoor blank-out signs with an IP55/NEMA 3RX cabinet. The sign message is formed by a printed face that illuminates with backlit LEDs when activated and blanks-out when deactivated.

Electrical

- **Input voltage:** 120-277VAC
 - *Optional 12-24VDC*
- **Control:** Switch, Signal-Tech Control Software or external relay
- **Internal Wiring:** All internal wiring shall use drip loops and all connections made to sign during installation shall conform to the National Electric Code
- **Number of Inputs:** One input (Line or +) per message, one common (Neutral or -), one Earth Ground
- **Input Connection Type:** Stripped end, 18AWG wire;
 - *Optional tool-actuated terminal blocks (DIN Rail), Lever-actuated terminals (DIN Rail)*
- **Power Efficiency:** 81% (@120VAC, 50% rated load); power supply shall not be loaded beyond its rated safe operating area
- **Surge Protection:** None;
 - *Optional DIN Rail mounted surge protectors available*
- **Power Supply Configuration:** Non-redundant;
 - *Optional Redundant power supplies available*
- UL/cUL Listed for wet locations

Accessories

- Audible alarm, Hood/Visor, Message Flashing

Warranty

- Five Years

Engineered & Assembled

- USA

Physical/Environmental

- **IP/NEMA Rating:** Meets IP55/NEMA 3RX standards; All in-field modifications/conduit entry points must be properly sealed
- **Temperature & Humidity:** -40°F to +165°F; 0% to 99% [non-condensing]
- **Face Material:** UV-resistant, 0.125" thick, smoked, matte, impact-modified acrylic panel
- **Cabinet Construction:** One-piece, hollow-profile extruded 6063-T52 aluminum frame with a 0.090" wall thickness
The extrusion bends to the sign size with ends secured together by an interlocking extrusion and screws, holding the display board and face material captive
- **Cabinet Finish:** Electrostatically applied PPG Macroflex™ Black Extrusion Coating (*Macroflex™ is register trademark of PPG Industries, Inc.*)
 - *Other colors available upon request*
- **Cabinet Depth:** Single-faced 6" deep
- **Cabinet Interior:** Conformal coated circuit board and power supplies, moisture-absorbent interior coating, weep holes for drainage, sealed/closed-end fasteners used for optional, installed mounting interface
- **Mounting:** Lift'N Shift sign back offers built-in wall mounting
 - *Optional mounting includes: SkyBracket Mast Arm Mounting Assembly, SkyBracket Span-wire Mounting Assembly*

NEMA 3RX STRI Series Full-Face, Backlit LED S

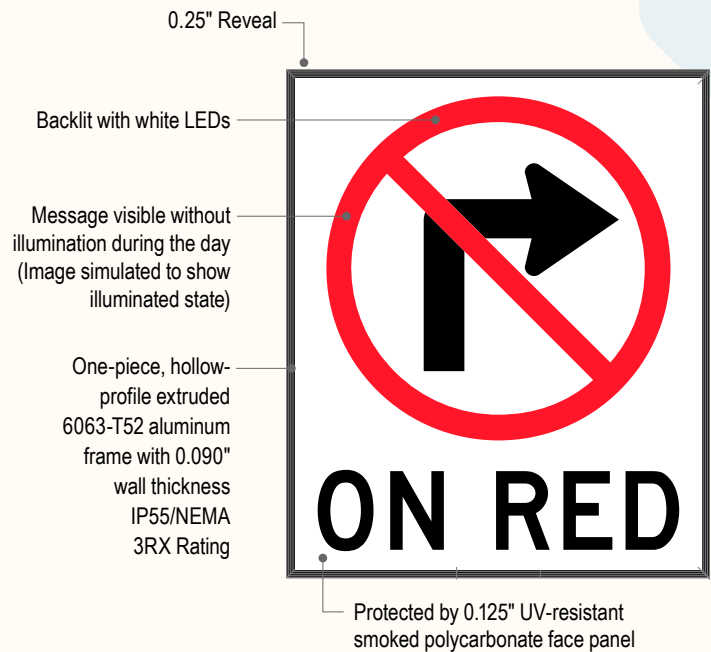


Backlight
On



Backlight
Off

Illuminated View



Visual/Illumination

- **LED Drive Current:** 50mA per string; String length varies per color
- **Message Flashing:** Adjusting speed/pattern, set from factory; OFF by default
- **Message Face:** Black message board protected by clear, matte (glare-reducing) window; Message illuminates when on and remains visible when off
 - [See Physical/Environmental for face construction](#)
- **LED Illumination:** Backlit with a full array of wide-angle LEDs

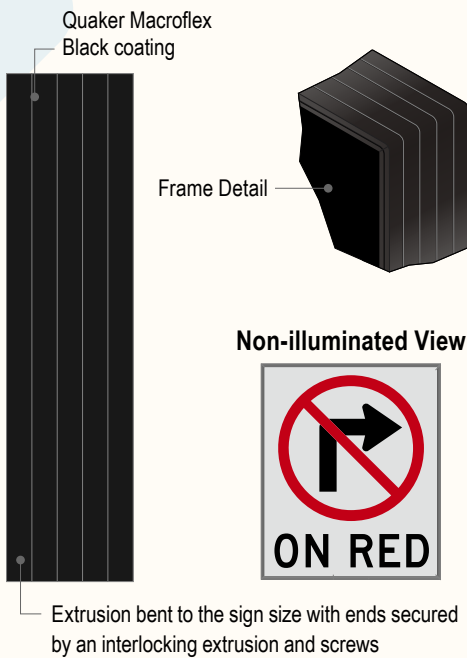
LED Colors

(Typ. λ /Temp)

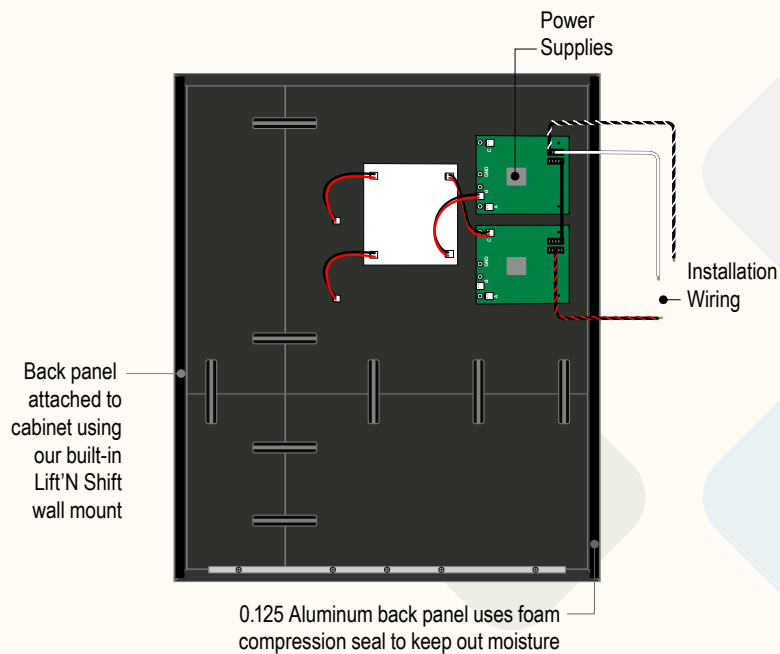
K – White LED temp in Kelvins

White	5500K - 6500K Nominal
-------	-----------------------

Frame Detail



Internal View



Outdoor/indoor blank-out signs with an IP55/NEMA 3RX cabinet. The sign message is formed by a printed face that illuminates with backlit LEDs when activated and blanks-out when deactivated.

Electrical

- **Input voltage:** 120-277VAC
 - *Optional 12-24VDC*
- **Control:** Switch, Signal-Tech Control Software or external relay
- **Internal Wiring:** All internal wiring shall use drip loops and all connections made to sign during installation shall conform to the National Electric Code
- **Number of Inputs:** One input (Line or +) per message, one common (Neutral or -), one Earth Ground
- **Input Connection Type:** Stripped end, 18AWG wire;
 - *Optional tool-actuated terminal blocks (DIN Rail), Lever-actuated terminals (DIN Rail)*
- **Power Efficiency:** 81% (@120VAC, 50% rated load); power supply shall not be loaded beyond its rated safe operating area
- **Surge Protection:** None;
 - *Optional DIN Rail mounted surge protectors available*
- **Power Supply Configuration:** Non-redundant;
 - *Optional Redundant power supplies available*
- UL/cUL Listed for wet locations

Accessories

- Audible alarm, Hood/Visor, Message Flashing

Warranty

- Five Years

Engineered & Assembled

- USA

Physical/Environmental

- **IP/NEMA Rating:** Meets IP55/NEMA 3RX standards; All in-field modifications/conduit entry points must be properly sealed
- **Temperature & Humidity:** -40°F to +165°F; 0% to 99% [non-condensing]
- **Face Material:** UV-resistant, 0.125" thick, clear, matte, impact-modified acrylic panel
- **Cabinet Construction:** One-piece, hollow-profile extruded 6063-T52 aluminum frame with a 0.090" wall thickness
The extrusion bends to the sign size with ends secured together by an interlocking extrusion and screws, holding the display board and face material captive
- **Cabinet Finish:** Electrostatically applied PPG Macroflex™ Black Extrusion Coating (*Macroflex™ is register trademark of PPG Industries, Inc.*)
 - *Other colors available upon request*
- **Cabinet Depth:** Single-faced 6" deep
- **Cabinet Interior:** Conformal coated circuit board and power supplies, moisture-absorbent interior coating, weep holes for drainage, sealed/closed-end fasteners used for optional, installed mounting interface
- **Mounting:** Lift'N Shift sign back offers built-in wall mounting
 - *Optional mounting includes: SkyBracket Mast Arm Mounting Assembly, SkyBracket Span-wire Mounting Assembly*

We do **MORE** than you think...

Let us manufacture a sign that meets **your** unique requirements.

Personalize **your** design with customized selections:

- Message wording, color, and font style
- Illumination style – direct-view or backlit
- Custom paint color and finish – including PMS color matching
- Full-color graphics and symbols, including PMS color matching for logo branding

Optional Accessories:

- Beacon strobe
- Piezo alarm
- Flasher
- Mounting Brackets
- Switches

Signal-Tech

LED Directional Signs & Signals

4985 Pittsburgh Avenue • Erie, Pennsylvania 16509
Toll Free: **877/547-9900** • Fax: **814/835-2300**

signal-tech.com

Copyright © 2024 Signal Technologies, Inc.